

# UEB1-70 SERIES

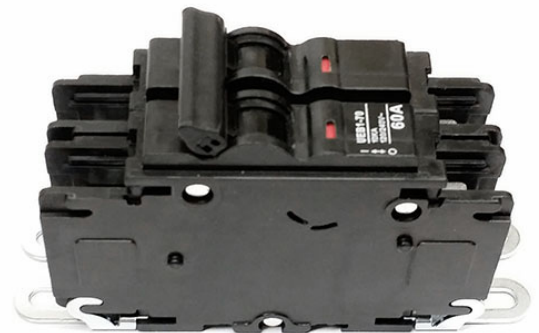
## MINIATURE CIRCUIT BREAKER

### DESCRIPTION

UEB1-70 series Miniature Circuit Breaker provides excellent over-current protection and control of on/off operation in AC electrical systems. It has a voltage rating of up to 240 VAC and current up to 60 A.

### FEATURES

- New terminal design to allow multiple quick connect terminations.
- Removable metal brackets allow the breaker to be flush mounted/ surface mounted, or totally removed for din rail mounting.
- Mechanical switch for manual circuit disconnection.
- On/Off display indicator
- Performance unaffected by position mounting
- UL 489



### GENERAL DATA

Rated Insulation Voltage	690 VAC
Agency Approvals	UL489
Operating Altitude	≤ 2000 meters (6562 feet)
Ambient Temperature	Operating: -10°C to 60°C (-14°F to 140°F)
	Storage: -40°C to 70°C (-40°F to 158°F)
Relative Humidity	90-95% RH (below 40°C / 104°F)
Torque	M8 Screw (Box terminal - Lead wire) 35 to 44 in-lbs
QC Wiring	The female connector should meet IEC 60760, necessary to ensure the reliability of connection between female connectors and QC terminals

### ELECTRICAL DATA

Rated Voltage	120/240 VAC, 240 VAC
Rated Frequency	50/60 Hz
Interrupting Capacity	10 KA
Electrical Endurance	6000 cycles
Mechanical Endurance	10000 cycles

**AMERICAN ZETTLER, INC.**

[www.azettler.com](http://www.azettler.com)

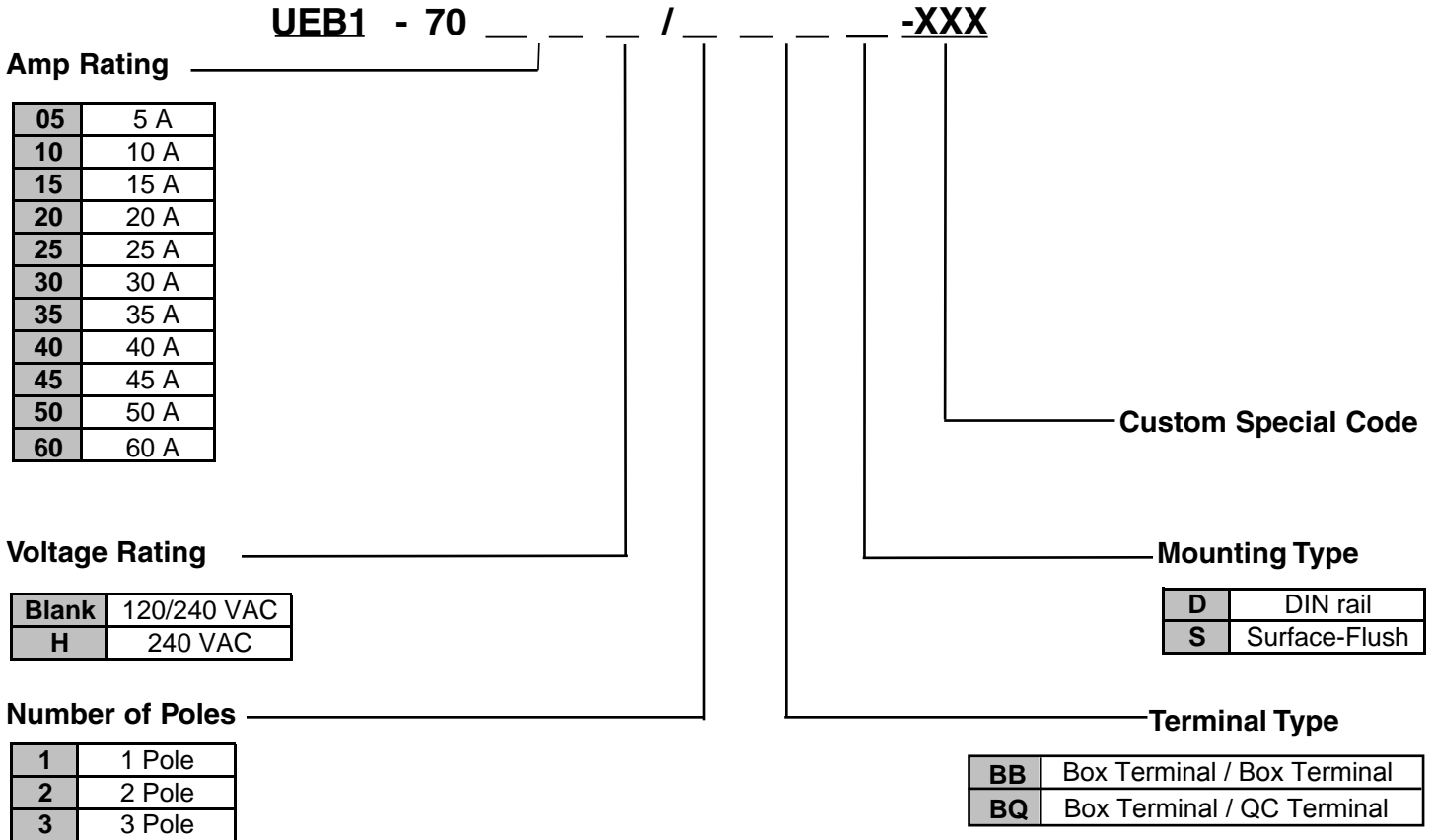
75 COLUMBIA • ALISO VIEJO, CA 92656 • PHONE: (949) 831-5000 • FAX: (949) 831-8642 • E-MAIL: SALES@AZETTLER.COM

10/27/17

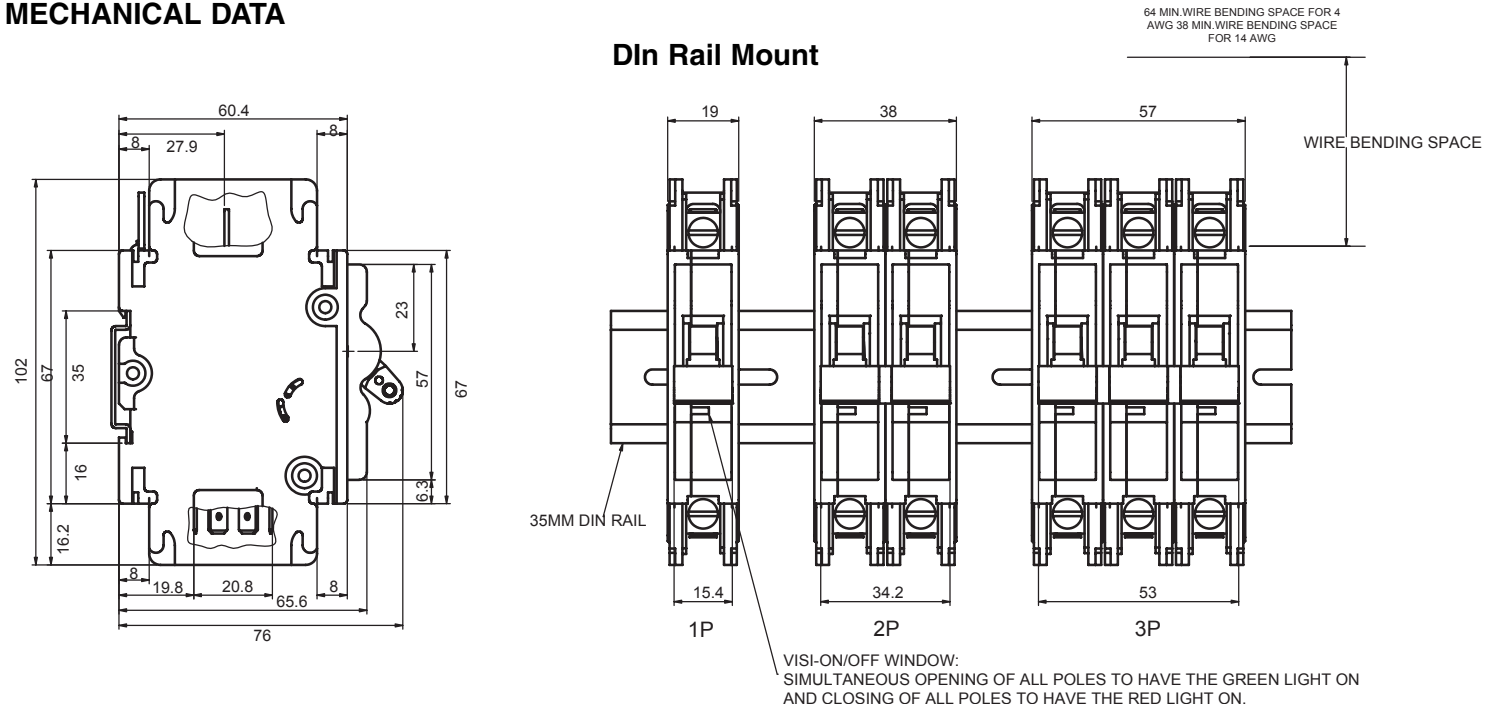
# UEB1-70 SERIES

## MINIATURE CIRCUIT BREAKER

### PART NUMBERING SYSTEM



### MECHANICAL DATA



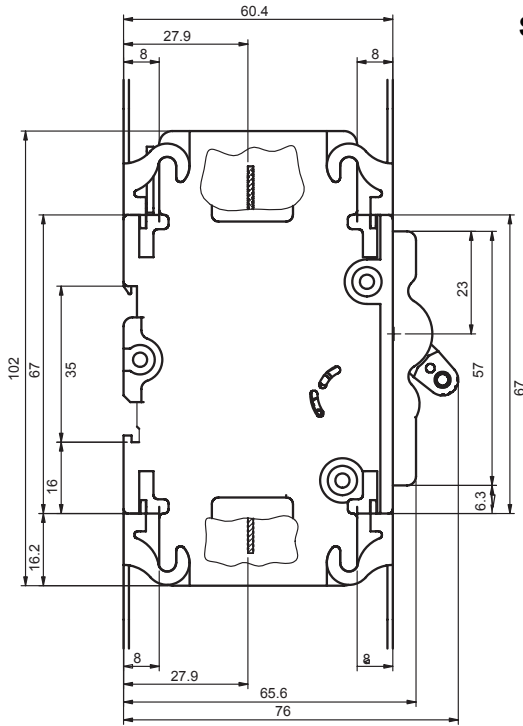
**AMERICAN ZETTLER, INC.** [www.azettler.com](http://www.azettler.com)

75 COLUMBIA • ALISO VIEJO, CA 92656 • PHONE: (949) 831-5000 • FAX: (949) 831-8642 • E-MAIL: SALES@AZETTLER.COM

# UEB1-70 SERIES

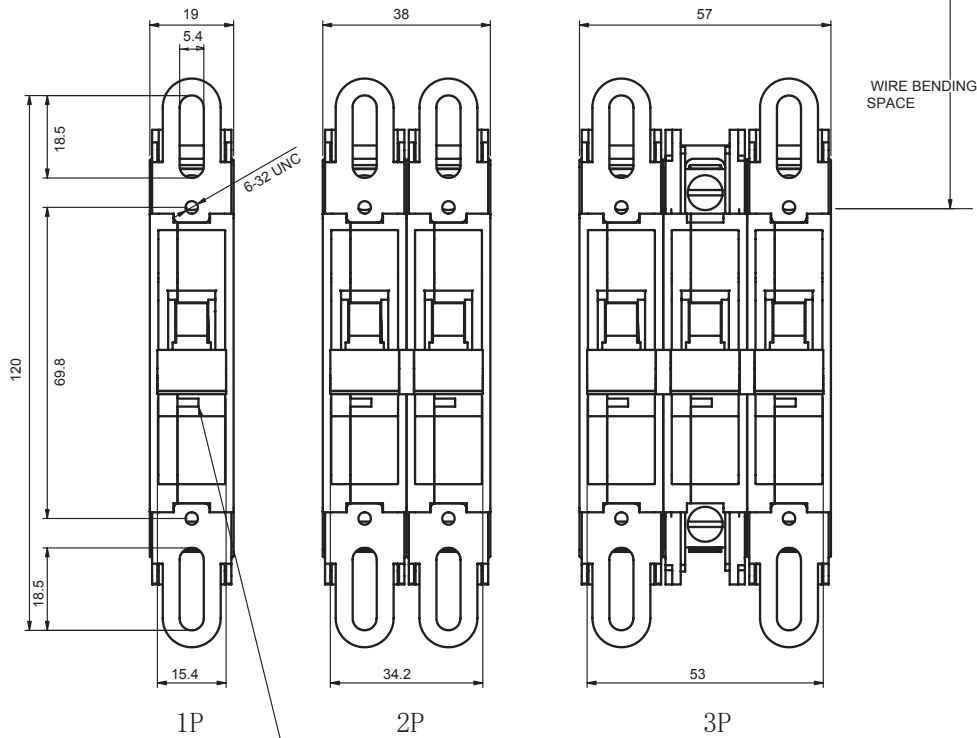
## MINIATURE CIRCUIT BREAKER

SURFACE MOUNT / FLUSH MOUNT OPTION



**Metal  
Bracket**

64 MIN. WIRE BENDING SPACE  
FOR 4 AWG 38 MIN. WIRE  
BENDING SPACE FOR 14 AWG



VISI-ON/OFF WINDOW:  
SIMULTANEOUS OPENING OF ALL POLES TO HAVE THE GREEN  
LIGHT ON AND CLOSING OF ALL POLES TO HAVE THE RED  
LIGHT ON.

**AMERICAN ZETTLER, INC.**

[www.azettler.com](http://www.azettler.com)

75 COLUMBIA • ALISO VIEJO, CA 92656 • PHONE: (949) 831-5000 • FAX: (949) 831-8642 • E-MAIL: SALES@AZETTLER.COM

10/27/17