

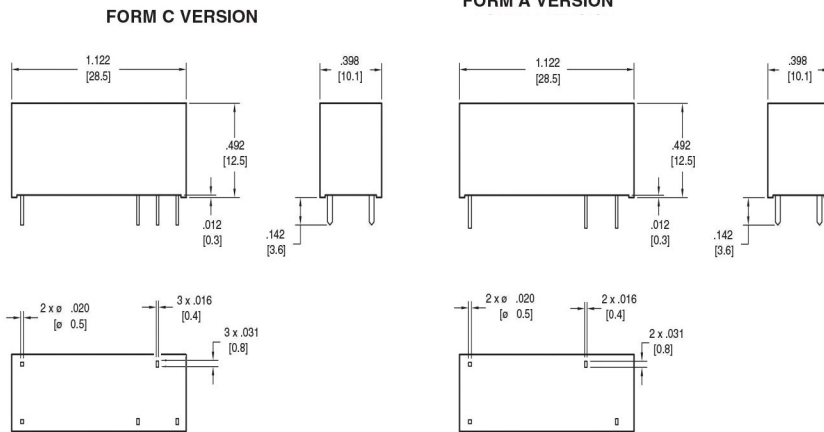
AZ6962

RELAY ORDERING DATA

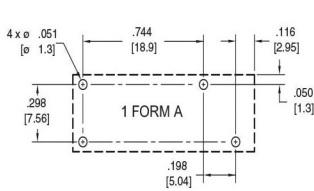
COIL SPECIFICATIONS - 1A & 1C				ORDER NUMBER*	
Nominal Coil VDC	Must Operate VDC	Max. Continuous VDC	Coil Resistance Ohm	1 Form A (SPST-NO)	1 Form C (SPDT)
5	3.5	7.5	113 ± 10%	AZ6962-1AE-5DE	AZ6962-1CE-5DE
6	4.2	9.0	164 ± 10%	AZ6962-1AE-6DE	AZ6962-1CE-6DE
9	6.3	13.5	360 ± 10%	AZ6962-1AE-9DE	AZ6962-1CE-9DE
12	8.4	18.0	620 ± 10%	AZ6962-1AE-12DE	AZ6962-1CE-12DE
18	12.6	27.0	1,295 ± 10%	AZ6962-1AE-18DE	AZ6962-1CE-18DE
24	16.8	36.0	2,350 ± 15%	AZ6962-1AE-24DE	AZ6962-1CE-24DE
48	33.6	72.0	8,000 ± 15%	AZ6962-1AE-48DE	AZ6962-1CE-48DE
60	42.0	90.0	12,500 ± 15%	AZ6962-1AE-60DE	AZ6962-1CE-60DE

Add suffix "A" for gold plated contacts.

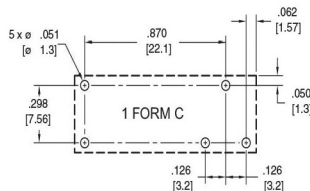
MECHANICAL DATA



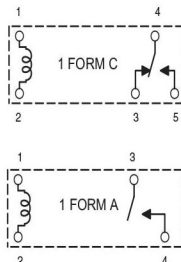
PC BOARD LAYOUT



VIEWED TOWARD TERMINALS

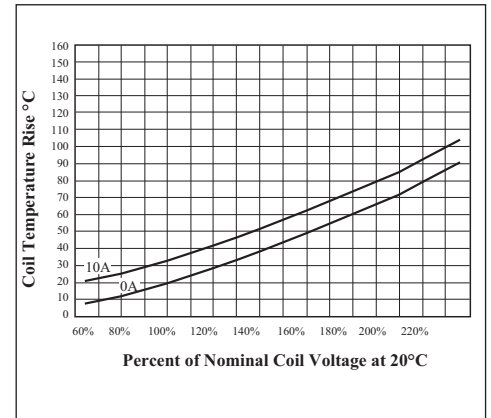


CIRCUIT DIAGRAM

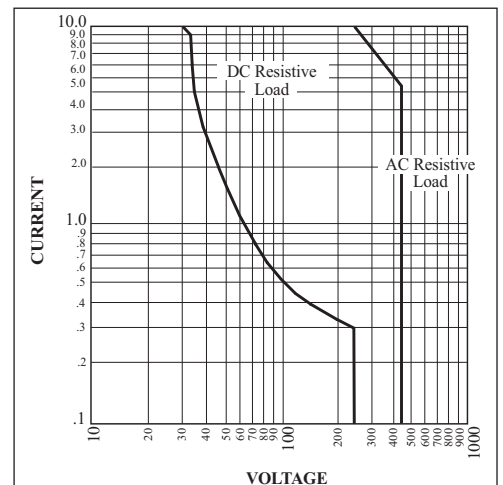


VIEWED TOWARD TERMINALS

Coil Temperature Rise



Maximum Switching Capacity (1 Form A, and 1 Form C)



Dimensions in inches with metric equivalents in parentheses. Tolerance: ± .010"

AMERICAN ZETTLER, INC.

www.azettler.com

75 COLUMBIA • ALISO VIEJO, CA 92656 • PHONE: (949) 831-5000 • FAX: (949) 831-8642 • E-MAIL: SALES@AZETTLER.COM