

AZ2300

20 AMP MINIATURE POWER RELAY

FEATURES

- Low cost
- 20 Amp switching
- 55 Amp inrush current
- Class B insulation system
- Quick-connect terminals
- UL, CUR file E44211



CONTACTS

Arrangement	SPST (1 Form A) SPDT (1 Form C)
Ratings	Resistive load: Max. switched power: 450 W or 3300 VA Max. switched current: 20 A Max. switched voltage: 150* VDC or 400 VAC * If switching voltage is greater than 30VDC, special precautions must be taken. Please contact the factory.
UL, CUR	NO: 15 A at 220 VAC (100 k operations) NC: 10 A at 220 VAC (100 k operations)
Material	Silver cadmium oxide
Resistance	< 50 milliohms initially (24 V, 1 A voltage drop method)

COIL

Power	
At Pickup Voltage (typical)	441 mW
Max. Continuous Dissipation	1.65 W at 20°C (68°F) ambient 1.35 W at 40°C (104°F) ambient
Temperature Rise	60°C (108°F) at nominal coil voltage
Temperature	Max. 130°C (266°F) Class B

NOTES

1. All values at 20°C (68°F).
2. Relay may pull in with less than "Must Operate" value.
3. Specifications subject to change without notice.

GENERAL DATA

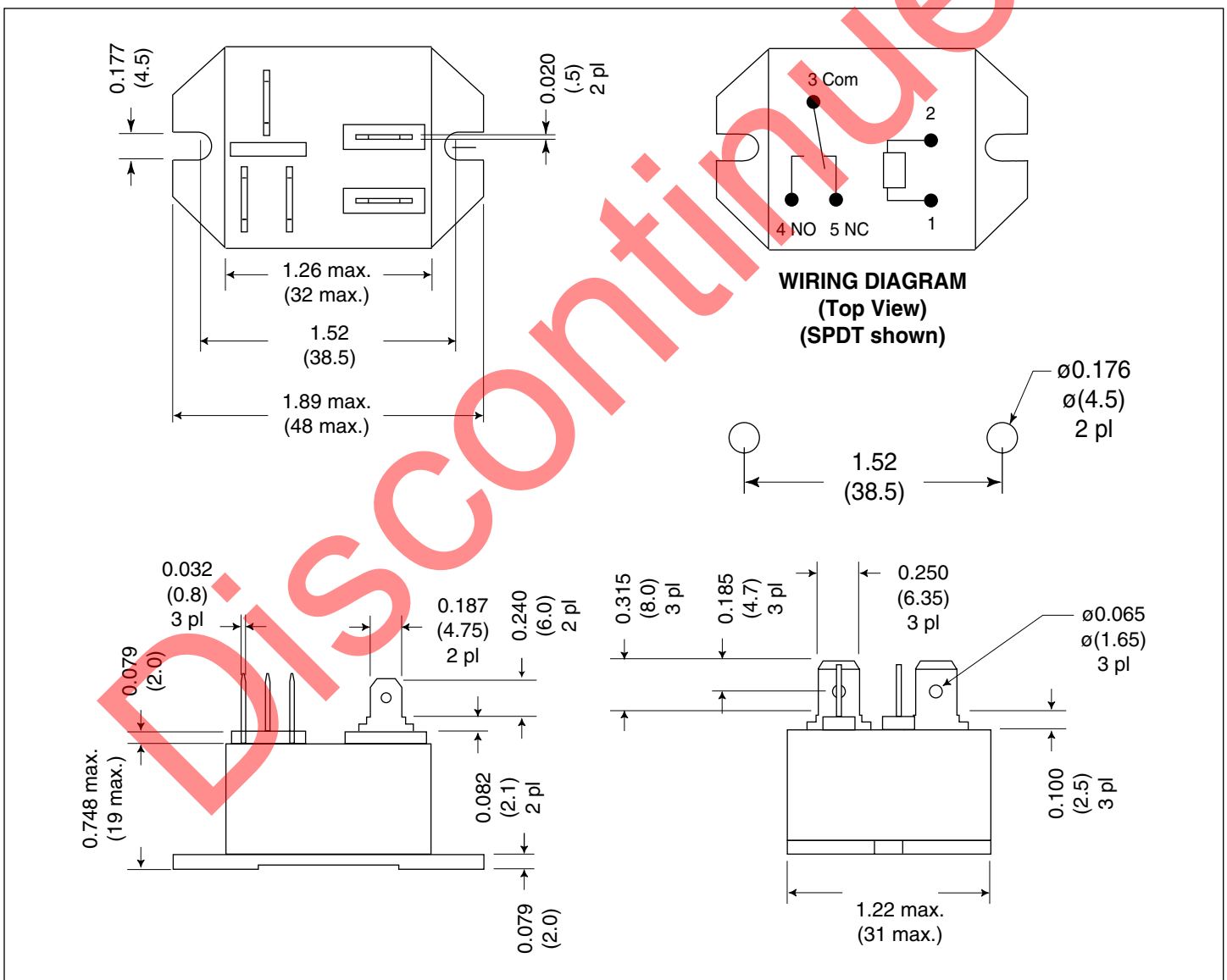
Life Expectancy Mechanical Electrical	Minimum operations 1 x 10 ⁷ 1 x 10 ⁵ at 15 A 220 VAC Res.
Operate Time (typical)	15 ms at nominal coil voltage
Release Time (typical)	10 ms at nominal coil voltage (with no coil suppression)
Dielectric Strength (at sea level for 1 min.)	3000 Vrms coil to contact 1000 Vrms between open contacts
Insulation Resistance	1000 megohms min. at 500 VDC, 20°C 50% RH
Dropout	Greater than 10% of nominal coil voltage
Ambient Temperature Operating Storage	At nominal coil voltage -40°C (-40°F) to 70°C (158°F) -40°C (-40°F) to 130°C (266°F)
Vibration	0.062" DA at 10–55 Hz
Shock Operating Non-operating	20 g, 11 ms 1/2 sine (no false operation) 100 g, 11 ms 1/2 sine (no damage)
Enclosure	P.B.T. polyester
Terminals	Tinned copper alloy Quick-connect Note: Allow suitable slack on leads when wiring, and do not subject the terminals to excessive force.
Max. Solder Temp.	270°C (518°F)
Max. Solder Time	5 seconds
Weight	40 grams

AZ2300

RELAY ORDERING DATA

COIL SPECIFICATIONS				ORDER NUMBER	
Nominal Coil VDC	Must Operate VDC	Max. Continuous VDC	Coil Resistance $\pm 10\%$	Form A	Form C
6	4.2	8.0	40	AZ2300-1A-6D	AZ2300-1C-6D
12	8.4	16.2	160	AZ2300-1A-12D	AZ2300-1C-12D
24	16.8	32.0	640	AZ2300-1A-24D	AZ2300-1C-24D
48	33.6	64.0	2,560	AZ2300-1A-48D	AZ2300-1C-48D

MECHANICAL DATA



Dimensions in inches with metric equivalents in parentheses. Tolerance: $\pm .010$ "

AMERICAN ZETTLER, INC.

www.azettler.com

75 COLUMBIA • ALISO VIEJO, CA 92656 • PHONE: (949) 831-5000 • FAX: (949) 831-8642 • E-MAIL: SALES@AZETTLER.COM

5/25/05W