

AZ22801

40 AMP MINIATURE POWER RELAY

FEATURES

- Panel Mount
- 1 Form A, B and C contacts available
- AC and DC coils available
- Class F high temperature available
- Lower cost 30A contact available
- UL, CUR file E44211
- TÜV Pending



CONTACTS

Arrangement	SPST (1 Form A, or B) SPDT (1 Form C)
Ratings	Resistive load: Max. switched power: 1200W or 7200VA Max. switched current: 40A (Form A) Max. switched voltage: 300VAC, 110VDC
UL, CUR	NO: 40A at 240VAC, Resistive 30A at 277VAC, General Purpose 25A at 277VAC, Resistive, 100k cycles 20A at 240VAC, Resistive, 250k cycles 2HP at 250VAC 5A at 280VAC, Ballast
TÜV	NC: 35A at 240VAC, Resistive [2] 30A at 240VAC / 30VDC, Resistive 20A at 277VAC, General Purpose 1.5HP at 250VAC 5A at 280VAC, Ballast
TÜV	NO: 40A at 240VAC, 14VDC 30A at 277VAC NC: 30A at 240VAC, 14VDC 30A at 277VAC
Material	Silver cadmium oxide [1], silver tin oxide [2]
Resistance	< 50 milliohms initially (24V, 1A voltage drop method)

COIL

Power	
At Pickup Voltage (typical)	DC: 506mW (30/40A), 844mW (50A) AC: 1.4VA
Max. Continuous Dissipation	DC: 1.7W at 20°C AC: 2.7VA at 20°C
Max. Temperature	Max. 130°C (266°F) Class B Max. 155°C (311°F) Class F

GENERAL DATA

Life Expectancy Mechanical Electrical	Minimum operations 1 x 10 ⁷ 1 x 10 ⁵ at 30A 120 VAC Res.
Operate Time	15 msec max. at nominal coil voltage
Release Time	10 msec max. at nominal coil voltage (without suppression)
Dielectric Strength (at sea level for 1 min.)	1500Vrms contact to contact 2500Vrms contact to coil 4000Vrms contact to coil-Contact Factory
Insulation Resistance	1000 megohms min. at 20°C, 500VDC 50% RH
Dropout	DC: > 10% of nominal coil voltage AC: > 30% of nominal coil voltage
Ambient Temperature Operating Storage	-55°C (-67°F) to 100°C (212°F) Class B -55°C (-67°F) to 125°C (257°F) Class B -55°C (-67°F) to 130°C (266°F) Class F -55°C (-67°F) to 155°C (311°F) Class F
Vibration	0.06" DA at 10-55Hz
Shock	20g
Enclosure	P.B.T. polyester
Terminals	Tinned copper alloy, P.C.,
Max. Solder Temp.	270°C (518°F)
Max. Solder Time	5 seconds
Max. Solvent Temp.	80°C (176°F)
Max. Immersion Time	30 seconds
Weight	35 grams

NOTES

1. All values at 20°C (68°F).
2. Relay may pull in with less than "Must Operate" value.
3. Specifications subject to change without notice.

AMERICAN ZETTLER, INC. www.azettler.com

75 COLUMBIA • ALISO VIEJO, CA 92656 • PHONE: (949) 831-5000 • FAX: (949) 831-8642 • E-MAIL: SALES@AZETTLER.COM

AZ22801

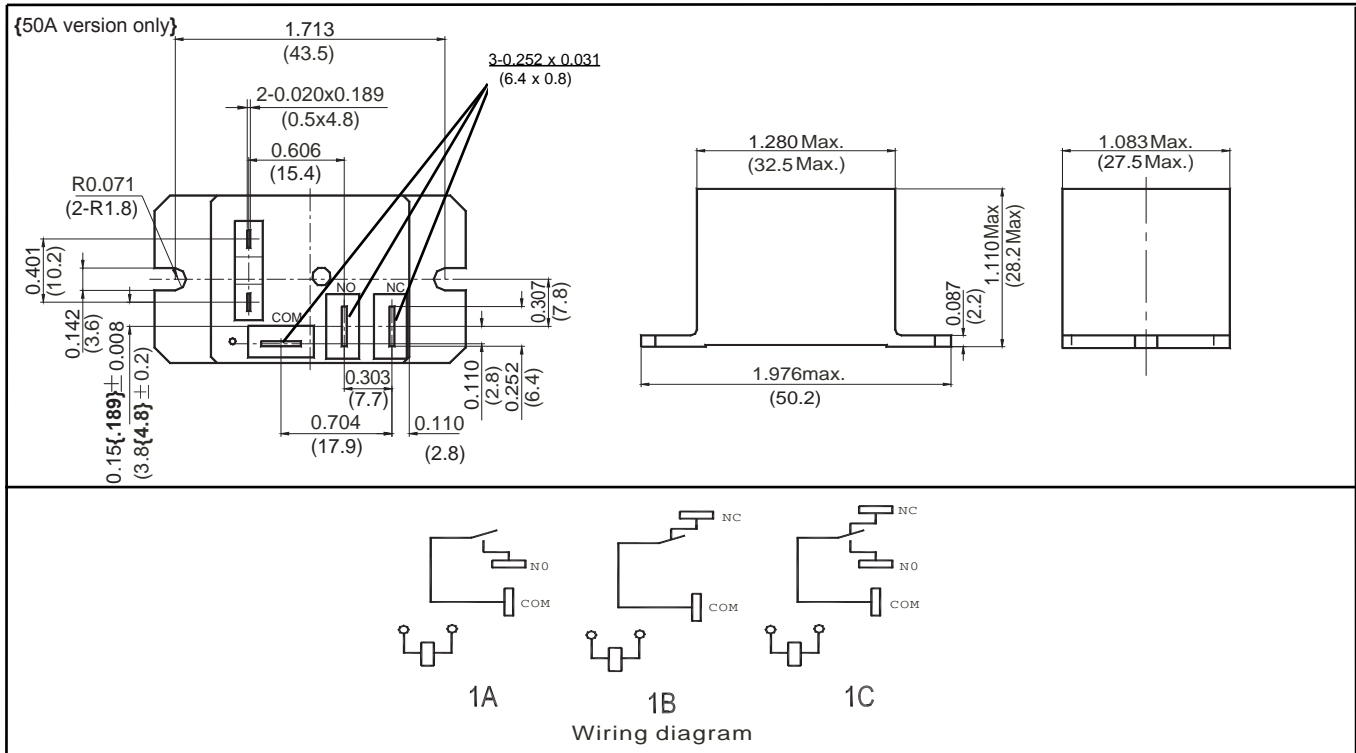
RELAY ORDERING DATA

COIL SPECIFICATIONS – DC Coil					ORDER NUMBER*
Nominal Coil VDC	Must Operate VDC	Max. Continuous VDC	Nominal Current mA ± 10%	Coil Resistance ± 10%	
3	2.25	3.9	300	10	AZ22801-1A-3DE
5	3.75	6.5	179	28	AZ22801-1A-5DE
6	4.50	7.8	150	40	AZ22801-1A-6DE
9	6.75	11.7	100	90	AZ22801-1A-9DE
12	9.00	15.6	75	160	AZ22801-1A-12DE
15	10.25	19.5	60	250	AZ22801-1A-15DE
18	13.5	23.4	50	360	AZ22801-1A-18DE
24	18.0	31.2	38	640	AZ22801-1A-24DE
48	36.0	62.4	19	2,560	AZ22801-1A-48DE
110	82.50	143	8	13,445	AZ22801-1A-110DE

COIL SPECIFICATIONS – AC Coil 50/60 Hz					ORDER NUMBER*
Nominal Coil VAC	Must Operate VAC	Max. Continuous VAC	Nominal Coil Power VA	Coil Resistance ±10%	
12	9	15.6	2.0	27	AZ22801-1A-12AE
24	18	31.2	2.0	120	AZ22801-1A-24AE
110	82.5	143	2.0	2,360	AZ22801-1A-110AE
120	90	156	2.0	3,040	AZ22801-1A-120AE
220	165	286	2.0	13,490	AZ22801-1A-220AE
240	180	312	2.0	15,740	AZ22801-1A-240AE
277	207.75	360.1	2.0	20,300	AZ22801-1A-277AE

Substitute "-1B" or "-1C" in place of "-1A" for 1 Form B or 1 Form C respectively. For silver tin oxide contacts substitute "-1AE", "1BE", or "-1CE" in place of "-1A" or "-1B" or "-1C." For 30A version, add "H" after "-1A", "-1AE", "-1B", "-1BE", or "-1C", "-1CE.", To indicate class F version, add suffix "F".

MECHANICAL DATA



Dimensions in inches with metric equivalents in parentheses. Tolerance: ± .010"

AMERICAN ZETTLER, INC.

www.azettler.com

75 COLUMBIA • ALISO VIEJO, CA 92656 • PHONE: (949) 831-5000 • FAX: (949) 831-8642 • E-MAIL: SALES@AZETTLER.COM